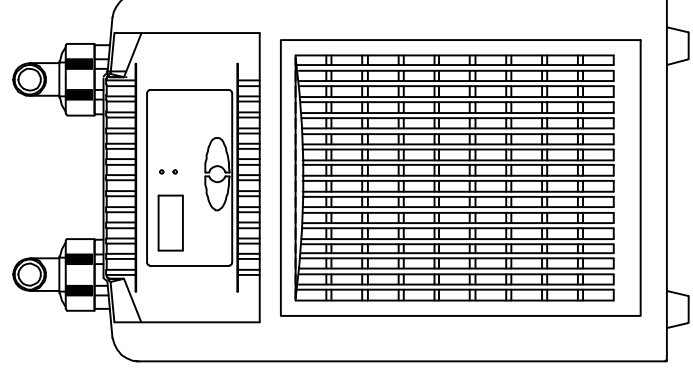
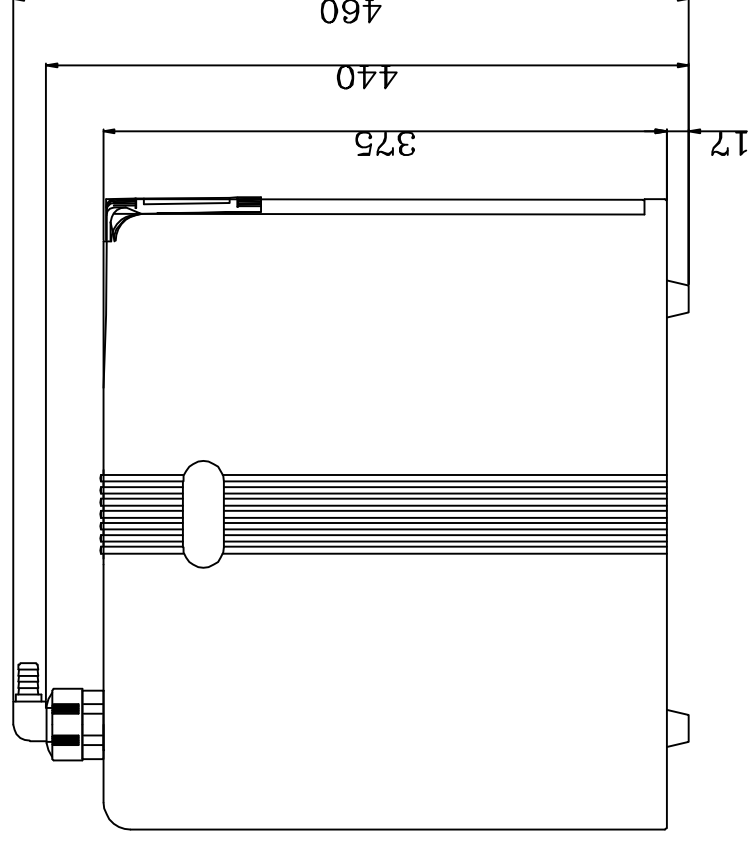
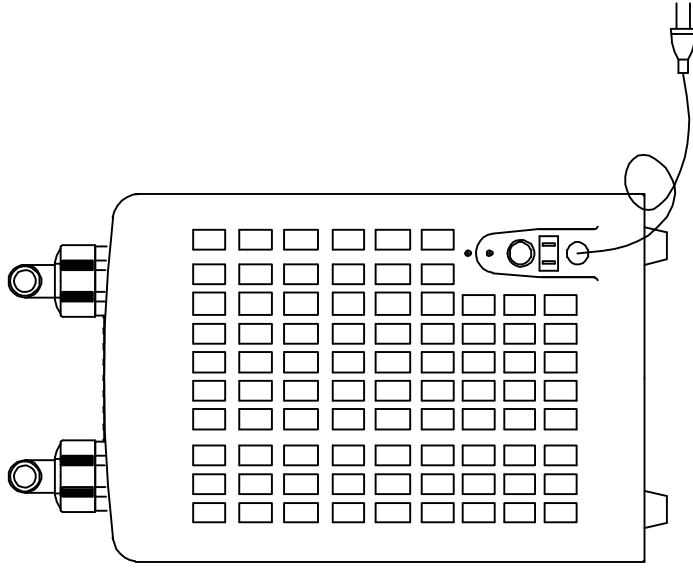
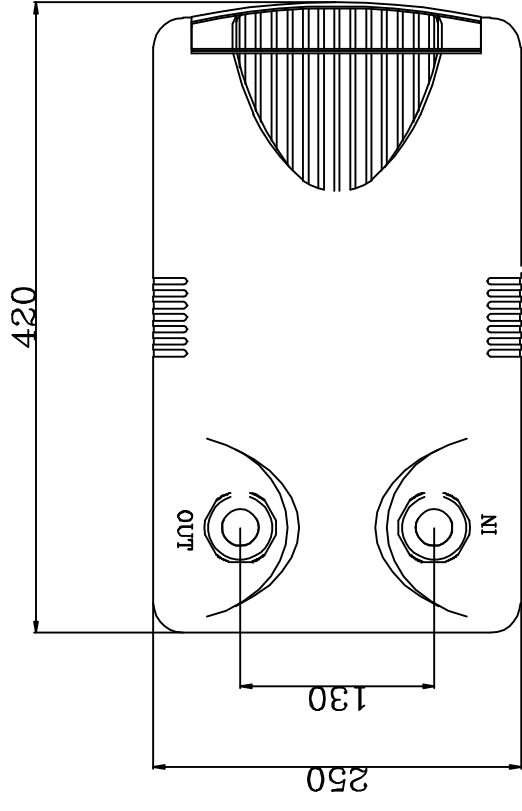
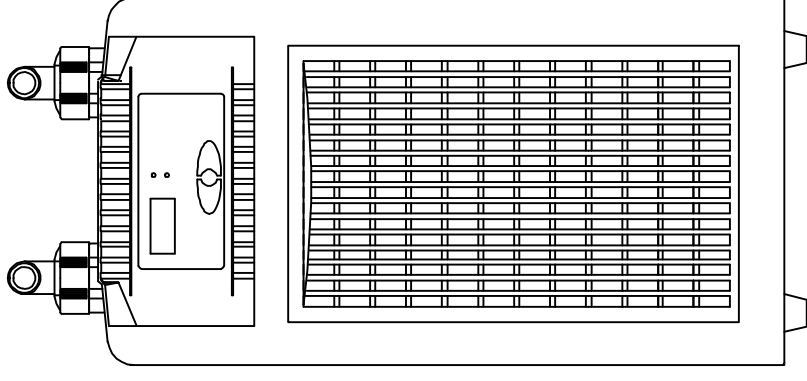
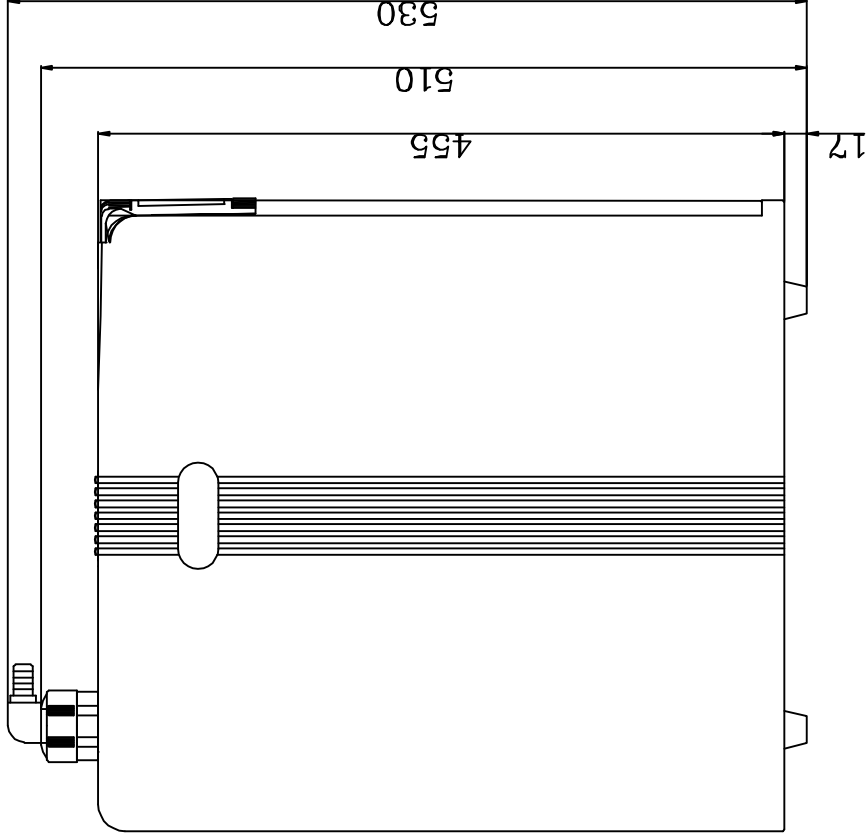
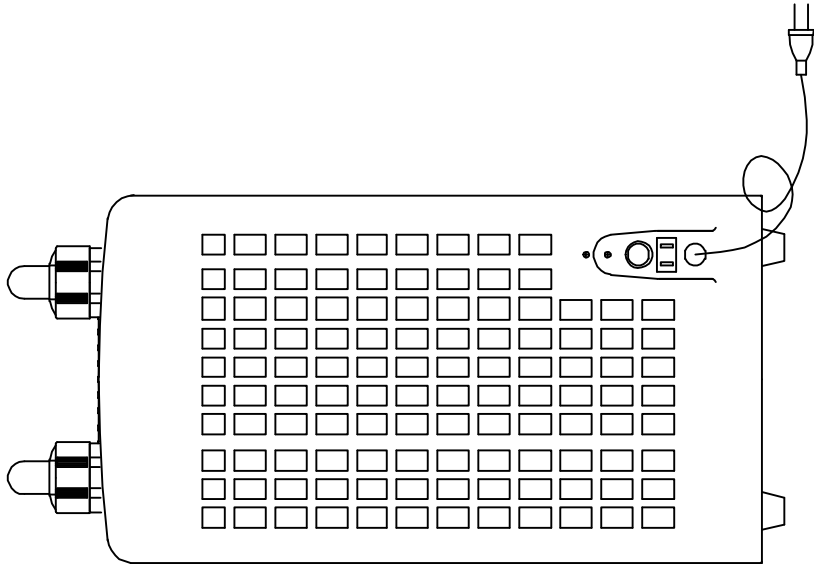
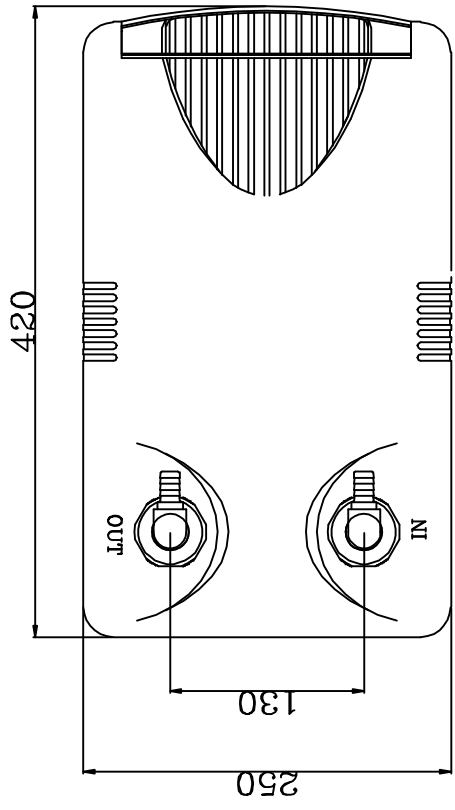


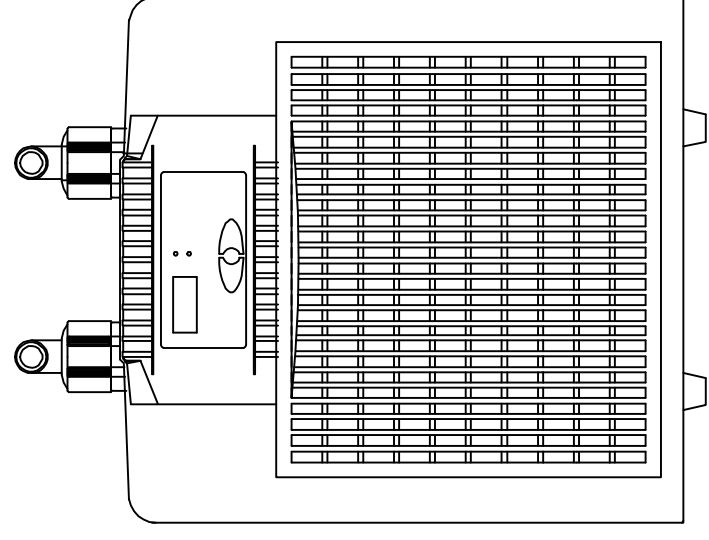
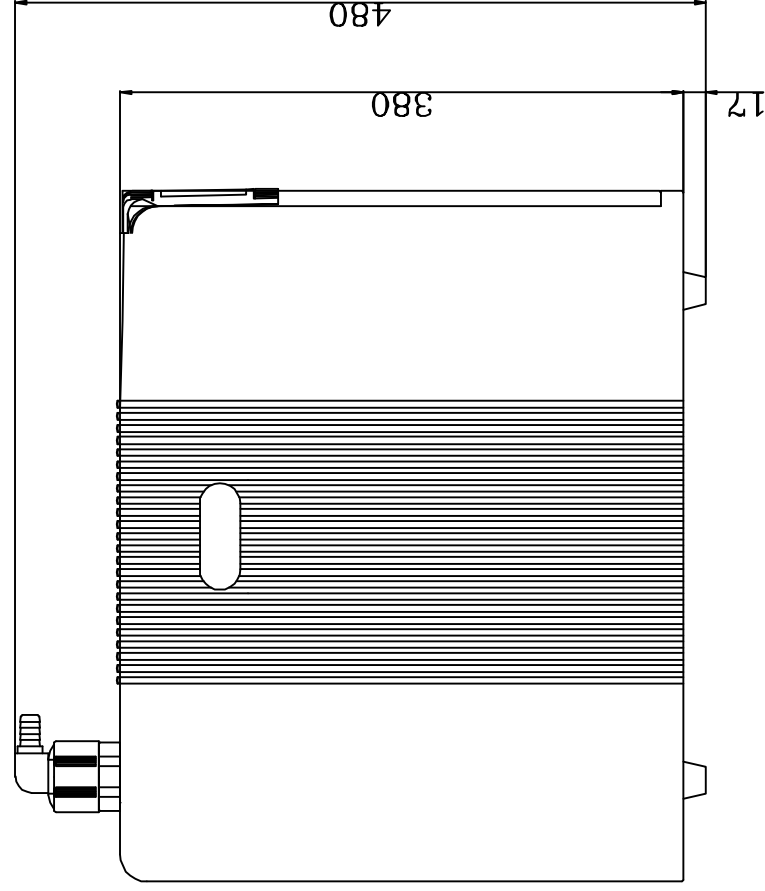
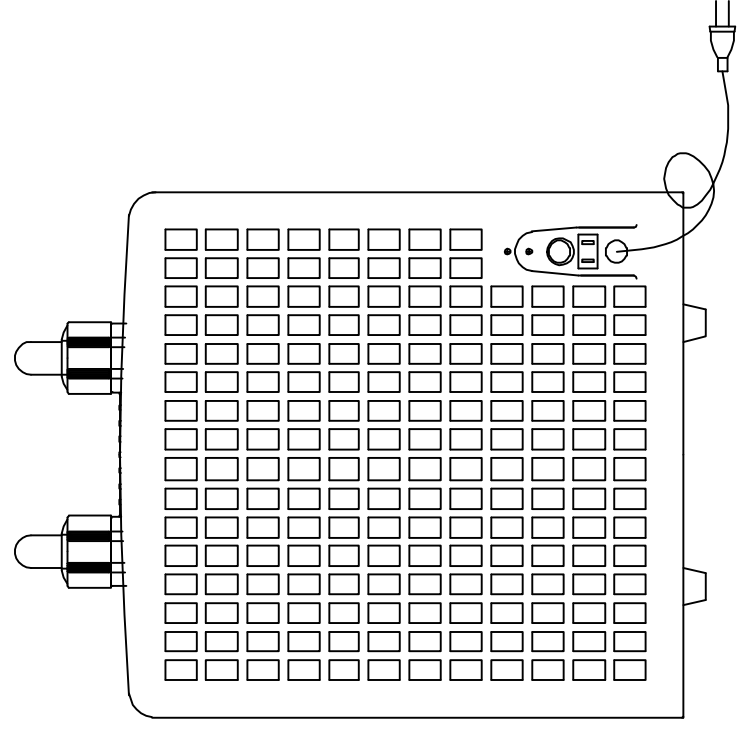
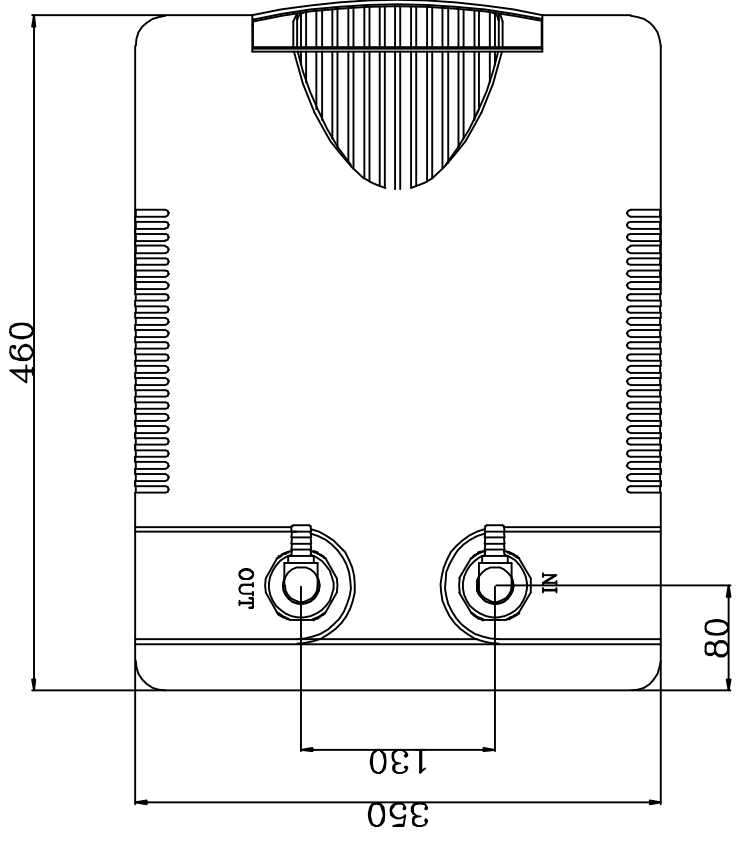
Sign	Modified Item	Date	Name
	FISH CHILLER OUTLINE		
Title	DBI-050D		
Name of Drawing			
Scale	1 : 1	Req. Qty	DWG. NO
	Designed by	Drawn by	Checked by
Name			Approved by
Date			



A	Sign	Modified Item	Date	Name
		FISH CHILLER OUTLINE		
	Title	DBA-075		
	Name of Drawing			
	Scale	1 : 1	Req. Q'ty	DWG. NO
		Designed by	Drawn by	Checked by
	Name			Approved by
	Date			



Sign	Modified Item	Date	Name
	FISH CHILLER OUTLINE		
	Name of Drawing	DBA-150, DBE-200	
	Scale	1 : 1	Req. Q'ty
	Designed by	Drawn by	DWG. NO
	Name	Checked by	Approved by
	Date		



Sign	Modified Item	Date	Name
	FISH CHILLER OUTLINE		
	DBM-250		
	1 : 1	Req. Q'ty	DWG. NO
	Designed by	Drawn by	Checked by
			Approved by